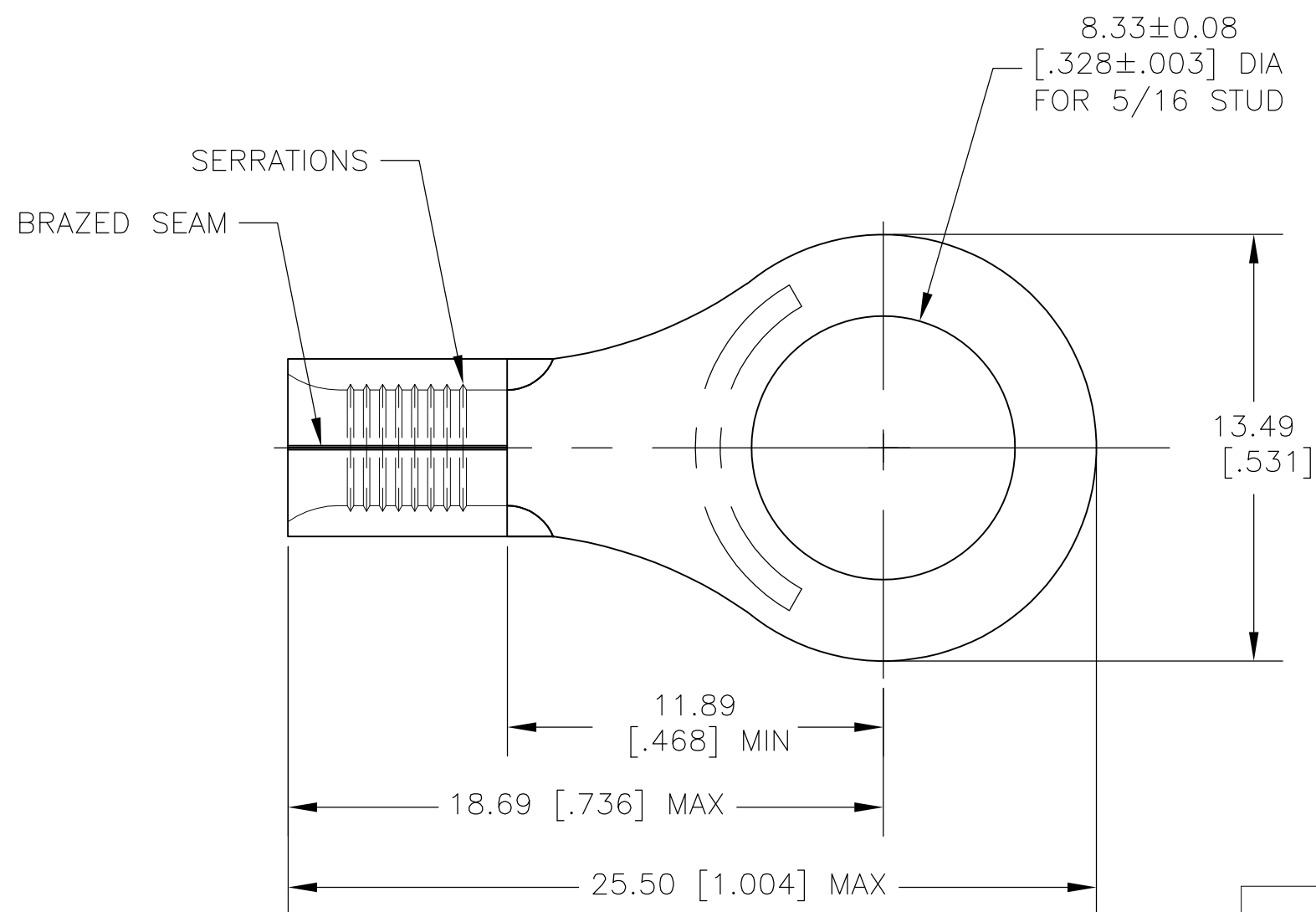


THIS DRAWING IS UNPUBLISHED. RELEASED FOR PUBLICATION
 © COPYRIGHT - BY TYCO ELECTRONICS CORPORATION. ALL RIGHTS RESERVED.

LOC	DIST	REVISIONS					
G	86	P	LTR	DESCRIPTION	DATE	DWN	APVD
		A		REL PER ECR 07-020267	27AUG07	JR	MS

- 1 WIRE RANGE: 12-10 AWG STANDARD.
WIRE CROSS SECTIONAL AREA RANGE:
5,180-13,100 CIRCULAR MILS, STRANDED
- 2 THE TONGUE THK IS 0.99±0.076 [.039±.003]
- 3 RECOMMENDED OPERATING TEMP -55°C TO
+200°C FOR HEAT SHRINK TUBING



1	1958129-1	HIGH AND LOW TEMPERTURE CROSS LINKED FLOUROPOLYMER HEAT SHRINK TUBING 6.35 [.250] MIN ID X 25.40 [1.000], RT-555
1	323064	TERMINAL BODY: COPPER PER ASTM B-152 ANNEALED FINISH: NICKEL PLATE 0.00762 [.000300] MIN THK PER SAE AMS QQ-N-290
-1	PART NO	DESCRIPTION

THIS DRAWING IS A CONTROLLED DOCUMENT.		DWN JR RUTH 23AUG07	Tyco Electronics Corporation Harrisburg, Pa 17105-3608	
DIMENSIONS: MM [INCHES]		CHK MJ SPICER 23AUG07	NAME HEAT RESISTANT TERMINAL KIT	
TOLERANCES UNLESS OTHERWISE SPECIFIED:		APVD MJ SPICER 23AUG07	PRODUCT SPEC -	
0 PLC ± -		APPLICATION SPEC -	SIZE A3	CAGE CODE 00779
1 PLC ± -		WEIGHT -	DRAWING NO C-1958126	RESTRICTED TO -
2 PLC ± 0.20[.008]		CUSTOMER DRAWING		
3 PLC ± -		SCALE 1:1	SHEET 1 OF 1	REV A
4 PLC ± -				
ANGLES ± 1°				
MATERIAL -				
FINISH -				